



BOOT MEASUREMENT FORM



Date: _____

Name: _____

Address: _____

Phone: _____

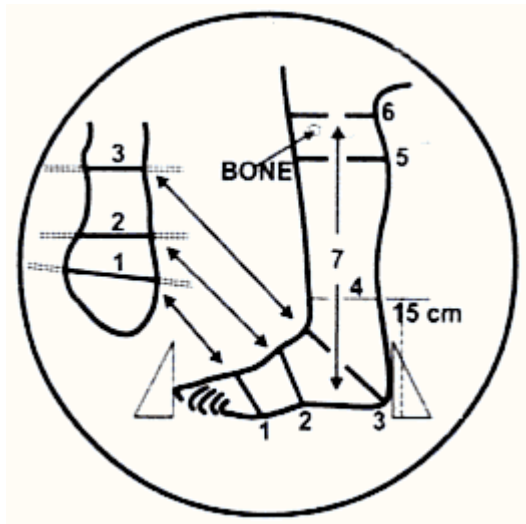
Mobile: _____

Email: _____

Style of Boots: _____

Colour: _____

Detail: _____



- 1: _____ **Ball of foot:** Measure the circumference around the ball of your foot
- 2: _____ **Arch:** Measure the circumference around your arch.
- 3: _____ **Heel:** Measure the circumference around your heel.
- 4: _____ **Ankle:** Measure the circumference around your ankle.
- 5: _____ **Calf:** Measure the circumference around your calf.
- 6: _____ **Top Calf:** Measure circumference around your leg just below knee.
- 7: _____ **Leg Height:** Measure from the sole of your foot to the bone as indicated.
- 8: _____ **Foot Length:** Length of your foot from longest toe to heel.

The measuring chart:

UK/AUS:-	4	4½	5	6	6½	7	8	9	9½	10½	11	12
EUR:-	36	37	38	39	40	41	42	43	44	45	46	47
USA:-	5	5½	6	6½	7½	8½	9	10	10½	11½	12	13

Please circle your shoe size above.

Measurements to be taken without jeans or socks on.

The measurements should be just firm not tight. Please trace around your foot on the back of this form.